

12/17/2020 11:50 AM

INSTALLATION NOTES:

- ONE (1) INSTALLATION ANCHOR IS REQUIRED AT EACH ANCHOR LOCATION SHOWN.
- THE NUMBER OF INSTALLATION ANCHORS DEPICTED IS THE MINIMUM NUMBER OF ANCHORS TO BE USED FOR PRODUCT INSTALLATION.
- INSTALL INDIVIDUAL INSTALLATION ANCHORS WITHIN A TOLERANCE OF ±1/2 INCH OF THE DEPICTED LOCATION IN THE ANCHOR LAYOUT DETAIL (I.E., WITHOUT CONSIDERATION OF TOLERANCES). TOLERANCES ARE NOT CUMULATIVE FROM ONE INSTALLATION ANCHOR TO THE NEXT.
- SHIM AS REQUIRED AT EACH INSTALLATION ANCHOR WITH LOAD BEARING SHIM(S). MAXIMUM ALLOWABLE SHIM STACK TO BE 1/4 INCH. SHIM WHERE SPACE OF 1/16 INCH OR GREATER OCCURS. SHIM(S) SHALL BE CONSTRUCTED OF HIGH DENSITY PLASTIC OR BETTER.
- FOR INSTALLATION INTO CONCRETE OR GROUT FILLED CMU, USE 3/8" DYNABOLT SLEEVE ANCHORS OF SUFFICIENT LENGTH TO ACHIEVE A MINIMUM EMBEDMENT OF 1-1/2".
- FOR INSTALLATION INTO 2X WOOD BUCK, USE 3/8" LAG SCREWS SAE GRADE 5 TYPE ANCHORS OF SUFFICIENT LENGTH TO ACHIEVE A MINIMUM EMBEDMENT OF 3".
- MINIMUM EMBEDMENT AND EDGE DISTANCE EXCLUDE WALL FINISHES, INCLUDING BUT NOT LIMITED TO STUCCO, FOAM, BRICK VENEER, AND SIDING.
- INSTALLATION ANCHORS AND ASSOCIATED HARDWARE MUST BE MADE OF CORROSION RESISTANT MATERIAL OR HAVE A CORROSION RESISTANT COATING.
- FOR GROUT FILLED BLOCK, DO NOT INSTALL INSTALLATION ANCHORS INTO MORTAR JOINTS. EDGE DISTANCE IS MEASURED FROM FREE EDGE OF BLOCK OR EDGE OF MORTAR JOINT INTO FACE SHELL OF BLOCK.
- INSTALLATION ANCHORS SHALL BE INSTALLED IN ACCORDANCE WITH ANCHOR MANUFACTURER'S INSTALLATION INSTRUCTIONS, AND ANCHORS SHALL NOT BE USED IN SUBSTRATES WITH STRENGTHS LESS THAN THE MINIMUM STRENGTH SPECIFIED BY THE ANCHOR MANUFACTURER.
- INSTALLATION ANCHOR CAPACITIES FOR PRODUCTS HEREIN ARE BASED ON SUBSTRATE MATERIALS WITH THE FOLLOWING PROPERTIES:
 - WOOD - MINIMUM SPECIFIC GRAVITY OF 0.55.
 - CONCRETE - MINIMUM COMPRESSIVE STRENGTH OF 3000 PSI.
 - MASONRY - STRENGTH CONFORMANCE TO ASTM C-90, WITH MINIMUM COMPRESSIVE STRENGTH OF 2000 PSI.
 - GROUT-FILLED CMU-UNIT STRENGTH CONFORMS TO ASTM C90 WITH MINIMUM COMPRESSIVE STRENGTH OF 200 PSI AND FROUT CONFIRMS TO ASTM C476, MINIMUM GROUT COMPRESSIVE STRENGTH OF 2000 PSI
 - STEEL - MINIMUM YIELD STRENGTH OF 36 KSI. MINIMUM 12 GA. WALL THICKNESS.
 - ALUMINUM - MINIMUM 1/8 INCH THICK 6063-T5 ALUMINUM.

DE LA FONTAINE

HOLLOW METAL STEEL STIFFENED WINDSTORM DOOR (WZ4)(IMPACT)

GENERAL NOTES:

- THE PRODUCT SHOWN HEREIN IS DESIGNED AND MANUFACTURED TO COMPLY WITH THE CURRENT EDITION FLORIDA BUILDING CODE (FBC), EXCLUDING HVHZ AND HAS BEEN EVALUATED ACCORDING TO THE FOLLOWING:
 - ASTM E 330-02
 - ASTM E1886-13
 - ASTM E1996-17
- ADEQUACY OF THE EXISTING STRUCTURAL CONCRETE/MASONRY AND 2X FRAMING AS A MAIN WIND FORCE RESISTING SYSTEM CAPABLE OF WITHSTANDING AND TRANSFERRING APPLIED PRODUCT LOADS TO THE FOUNDATION IS THE RESPONSIBILITY OF THE ENGINEER OR ARCHITECT OF RECORD FOR THE PROJECT OF INSTALLATION.
- 1X AND 2X BUCKS (WHEN USED) SHALL BE DESIGNED AND ANCHORED TO PROPERLY TRANSFER ALL LOADS TO THE STRUCTURE. BUCK DESIGN AND ANCHOR LAYOUT IS THE RESPONSIBILITY OF THE ENGINEER OR ARCHITECT OF RECORD FOR THE PROJECT OF INSTALLATION.
- THE INSTALLATION DETAILS DESCRIBED HEREIN ARE GENERIC AND MAY NOT REFLECT ACTUAL CONDITIONS FOR A SPECIFIC SITE. IF SITE CONDITIONS CAUSE INSTALLATION TO DEVIATE FROM THE REQUIREMENTS DETAILED HEREIN, A LICENSED ENGINEER OR ARCHITECT SHALL PREPARE SITE SPECIFIC DOCUMENTS FOR USE WITH THIS DOCUMENT.
- THIS PRODUCT IS LARGE AND SMALL MISSILE IMPACT RESISTANT APPROVED IMPACT PROTECTIVE SYSTEM **IS NOT REQUIRED** ON THIS PRODUCT IN AREAS REQUIRING IMPACT RESISTANCE, IN WIND ZONE 4.
- DOOR PANEL MATERIAL: 16 GA. A40 GALV. STEEL (0.054" MIN.)
DOOR FRAME MATERIAL: SINGLE UNITS - 16 GA. A40 GALV. STEEL (0.054" MIN.) PAIR UNITS - 14 GA. A40 GALV. STEEL (0.072" MIN.)
- DESIGNATIONS "X" AND "O" STAND FOR THE FOLLOWING:
X: ACTIVE PANEL
O: INACTIVE PANEL

STEEL DOOR CONSTRUCTION:

THE OVERALL PANEL THICKNESS IS MINIMUM 1 3/4 INCH THICK AND MAXIMUM 2 1/4 INCH THICK. THE DOOR LEAF IS CONSTRUCTED FROM 16 GA. (0.054") A40 GALVANIZED STEEL SHEETS. VERTICAL 18 GA. STEEL C-CHANNEL STIFFENERS ARE LOCATED 6" FROM EACH END AND 6" ON CENTER AND ARE SECURED WITH CONTACT ADHESIVE ON EACH FACE. EDGE SEAM IS CONTINUOUSLY WELDED WITH AN 18 GA. REINFORCEMENT CHANNEL ALONG THE INNER SEAM. TOP AND BOTTOM CHANNELS ARE 16 GA. STEEL AND ARE WELDED TO EACH FACE SHEET 3" O.C. OPTIONAL FLUSHING CHANNELS ARE 18 GA. STEEL AND ARE LOCATED AT TOP AND BOTTOM RAILS. HINGE REINFORCEMENTS ARE LOCATED AT EACH HINGE LOCATION AND ARE 7. GA. STEEL TABS. LATCHING AND EXIT DEVICE HARDWARE REINFORCEMENTS ARE USED WHEN APPLICABLE. OPTIONAL POLYSTYRENE OR URETHENE MAY BE INSERTED BETWEEN STIFFENERS.

FRAME CONSTRUCTION:

THE DOOR FRAMES ARE CONSTRUCTED FROM 16 GAUGE (0.054") FOR SINGLE UNITS AND 14 GAUGE (0.072") FOR PAIR UNITS A40 GALVANIZED STEEL. FRAME PIECES ARE WELDED TOGETHER IN ACCORDANCE WITH HMMA 861-06. FRAMES ARE PREPPED WITH PIPE ANCHOR STRAPS OF EQUIVALENT GAUGE THICKNESS TO THE FRAME AT EACH ANCHOR LOCATION WELDED IN PLACE. SEE SHEET 8 FOR ALTERNATE INSTALLATION WITH T-STRAP AND WIRE ANCHORS. 3/16" X 10" 7 GA. HINGE REINFORCEMENT IS LOCATED AT EACH HINGE LOCATION. LOCK STRIKE REINFORCEMENTS ARE USED WHEN APPLICABLE.

FLORIDA BUILDING CODE DESIGN PRESSURES				
CONFIGURATION	LATCHING HARDWARE TYPE	*WHERE WATER INFILTRATION IS NOT REQUIRED OR IS PROTECTED BY OVERHANG	WHERE WATER INFILTRATION REQUIREMENT IS NEEDED OR IS NOT PROTECTED BY OVERHANG	MISSILE IMPACT RATING
SINGLE	CYLINDRICAL LOCKSET	+/- 70 PSF	NOT APPROVED	LARGE AND SMALL MISSILE IMPACT RATED
SINGLE	MORTISE LOCKSET WITH DEADBOLT	+/- 70 PSF		
SINGLE	RIM EXIT DEVICE	+/- 70 PSF		
PAIR	CYLINDRICAL LOCK X SURFACE BOLTS	+/- 70 PSF		
PAIR	MORTISE WITH DEAD BOLT X SURFACE BOLTS	+/- 70 PSF		
PAIR	RIM EXIT DEVICES WITH REMOVABLE MULLION	+/- 70 PSF		
PAIR	CONCEALED X CONCEALED, SURFACE X SURFACE, OR CONCEALED X SURFACE VERTICAL RODS	+/- 70 PSF		

*NOTE: UNIT SHALL BE INSTALLED AT LOCATION PROTECTED BY OVERHANG SUCH THAT OVERHANG RATIO (OH) = OH LENGTH /OH HEIGHT GREATER THAN 1.

TABLE OF CONTENTS	
SHEET	SHEET DESCRIPTION
1	INSTALLATION & GENERAL NOTES
2	ELEVATIONS
3	ANCHOR LAYOUTS & NOTES
4	VERTICAL SECTIONS
5	HORIZONTAL SECTIONS
6	HORIZONTAL SECTIONS
7	STIFFENER DETAILS & HORIZONTAL SECTION
8	HORIZONTAL SECTIONS

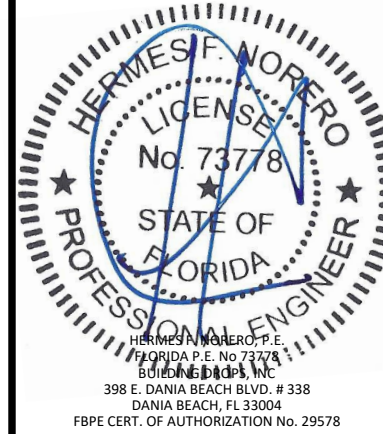


4115 BRODEUR STREET
SHERBROOKE, QC J1L1K4
PH: (819) 821-9230 FX: (819) 569-5928

TITLE: OS FLUSH STEEL FLOOR (WZ4)(IMPACT)
INSTALLATION AND GENERAL NOTES
PREPARED BY: BUILDING DROPS, INC.
398 E. DANIA BEACH BLVD., STE. 338
DANIA BEACH, FL 33004
PH: (954) 399-8478
FAX: (954) 744-4738
WEB: www.buildingdrops.com

REMARKS	BY	DATE
A-CODE CHANGE 2020	YC	09/20

THE INSTALLATION DETAILS DESCRIBED HEREIN ARE GENERIC AND MAY NOT REFLECT ACTUAL CONDITIONS FOR A SPECIFIC SITE. IF SITE CONDITIONS CAUSE INSTALLATION TO DEVIATE FROM THE REQUIREMENTS DETAILED HEREIN, A LICENSED ENGINEER OR ARCHITECT SHALL PREPARE SITE SPECIFIC DOCUMENTS FOR USE WITH THIS DOCUMENT.



FL21194

DATE: 09.19.16

DWG. BY: LMS CHK. BY: HFN

SCALE: NTS

DWG. #: DLF001

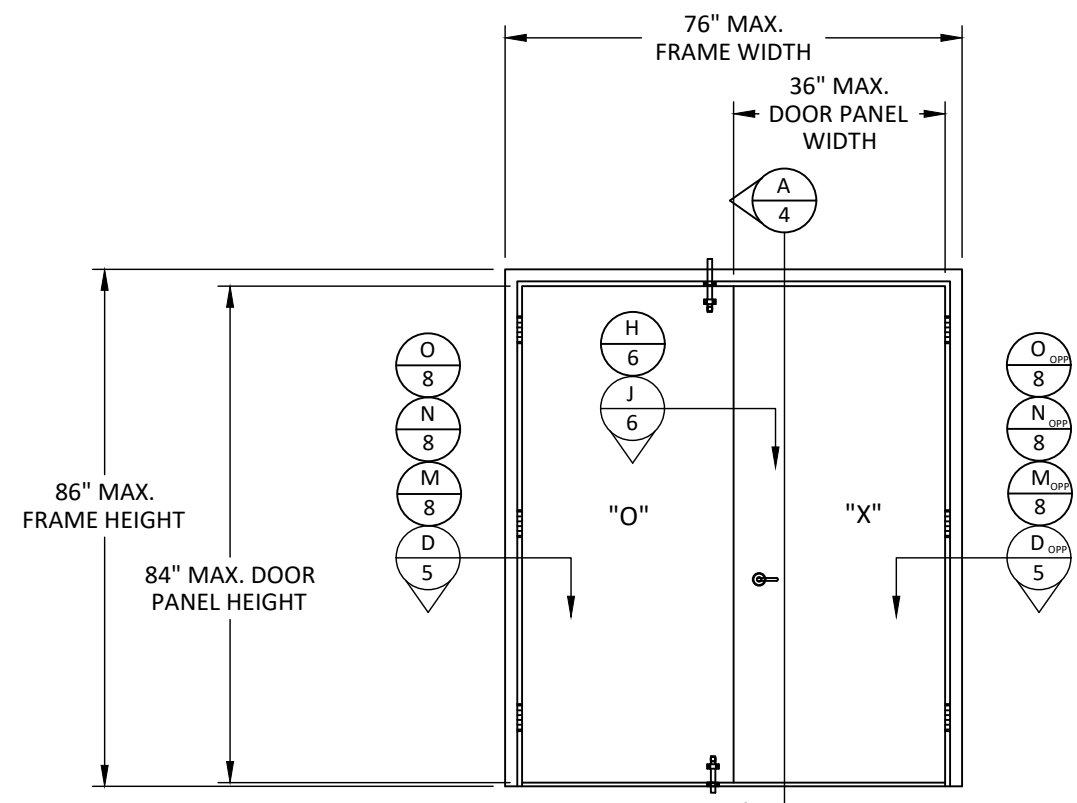
SHEET: 1 OF 8

s:\projects\de la fontaine\cc-20-1035 - fbc 2020 (ver. 7) code change\dwg\dlf001.dwg

12/7/2020 11:50 AM

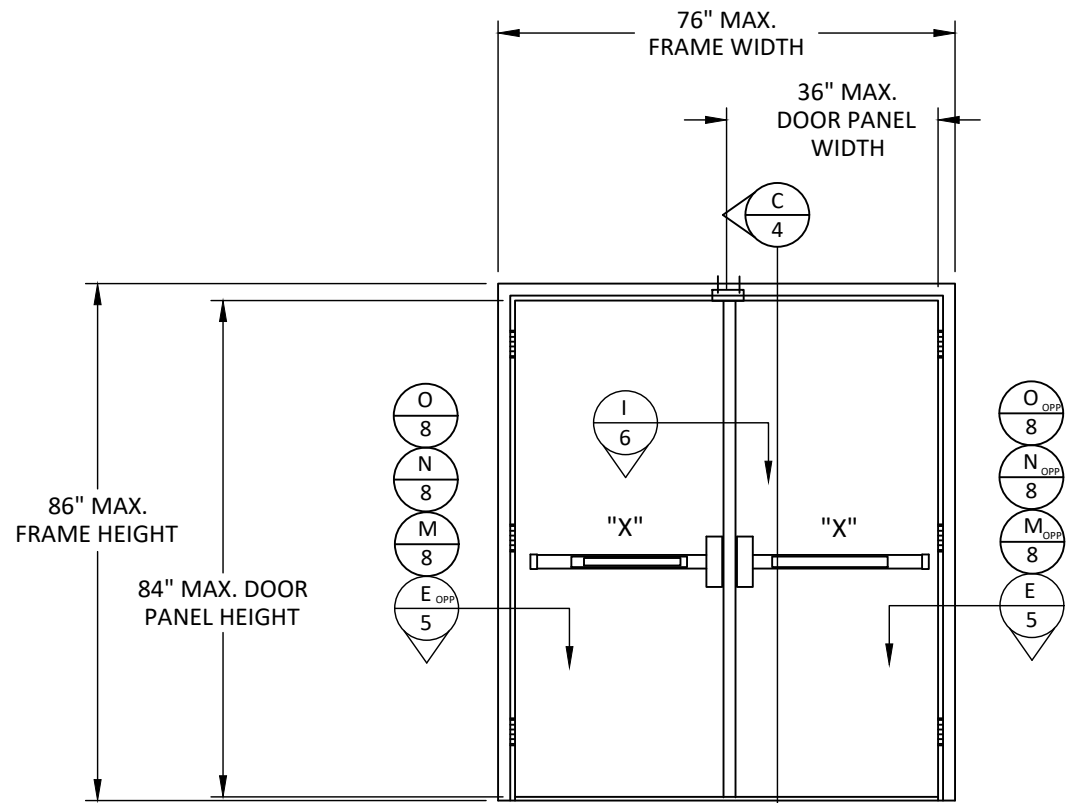


4115 BRODEUR STREET
SHERBROOKE, QC J1L1K4
PH: (819) 821-9230 FX: (819) 569-5928



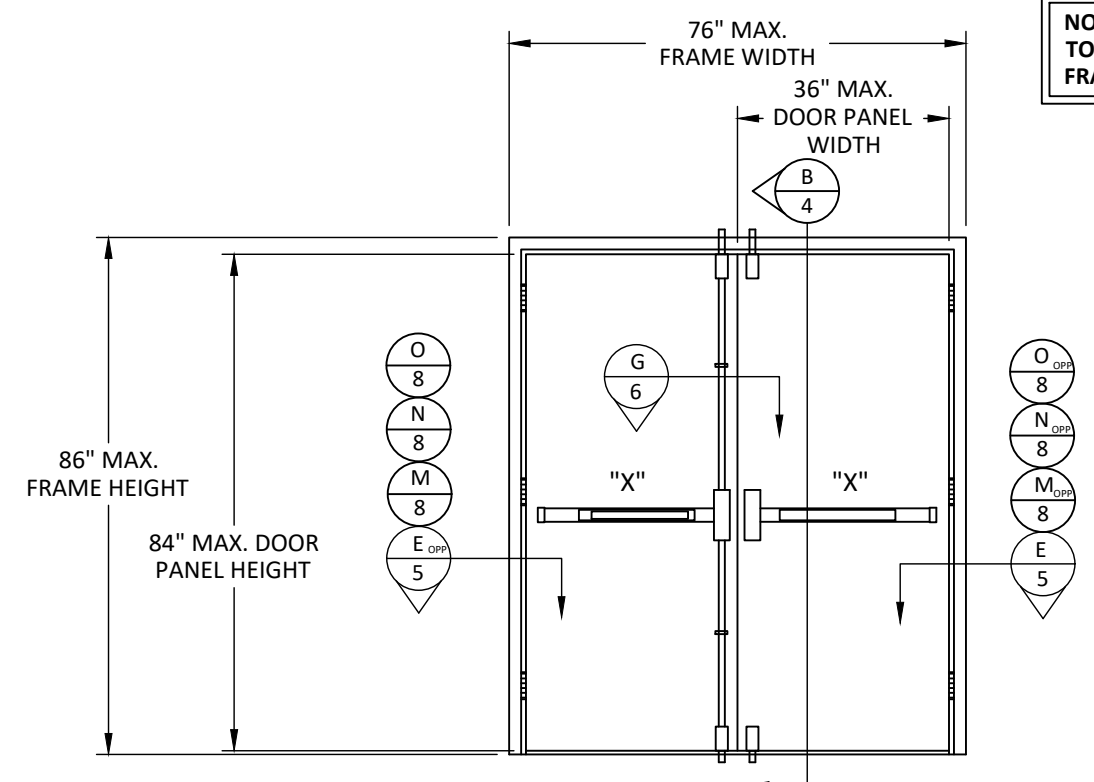
ELEVATION A

CYLINDRICAL LOCK (AS SHOWN) OR MORTISE LOCKSET
WITH DEAD BOLT (NOT SHOWN) ON ACTIVE PANEL,
SURFACE BOLTS ON INACTIVE



ELEVATION B

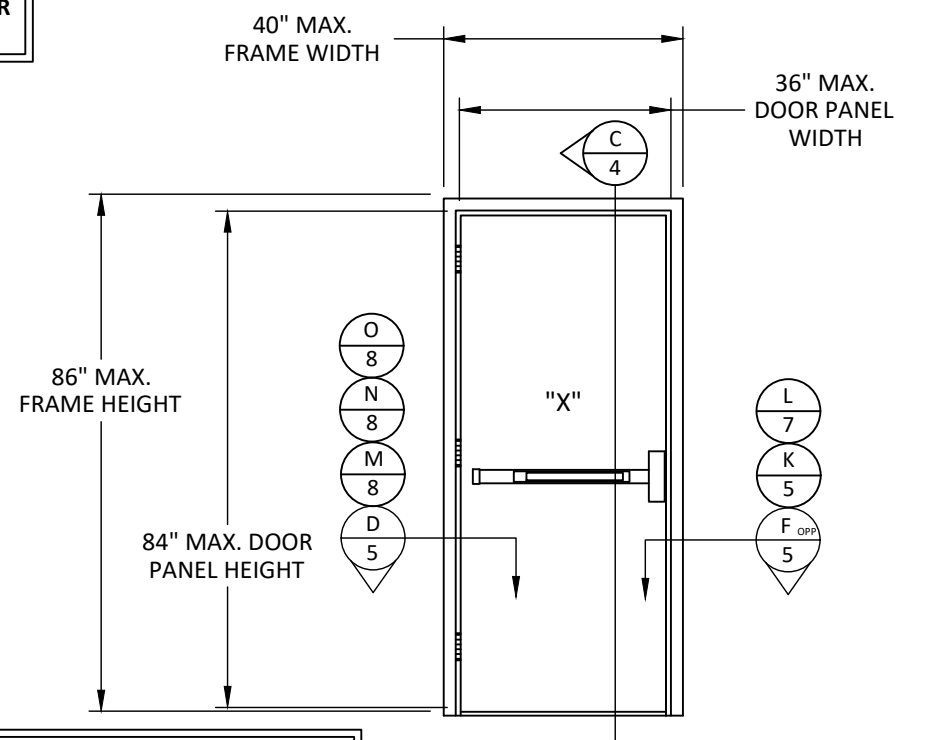
RIM EXIT DEVICES WITH
REMOVABLE MULLION



ELEVATION C

RIM EXIT DEVICES WITH CONCEALED VERTICAL
RODS OR SURFACE VERTICAL RODS

NOTE: MAXIMUM FRAME HEIGHT
TO BE 88" WHEN OPTIONAL HEADER
FRAME IS USED.



ELEVATION D

RIM EXIT DEVICE

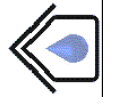
NOTE: ALTERNATE QUALIFIED SINGLE
DOOR HARDWARE OPTIONS INCLUDE
CYLINDRICAL LOCK OR MORTISE LOCKSETS
WITH DEADBOLT.

TITLE: OS FLUSH STEEL FOOT
(WZ4)(IMPACT)

ELEVATIONS

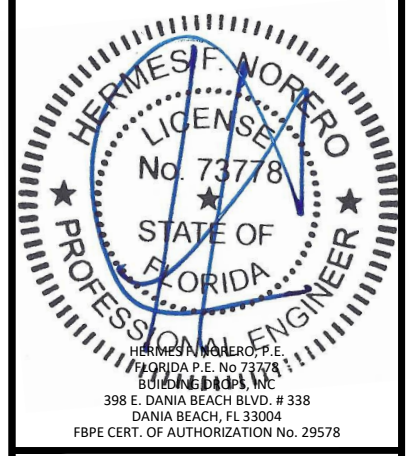
PREPARED BY: BUILDING DROPS, INC.

398 E. DANIA BEACH BLVD., STE. 338
DANIA BEACH, FL 33004
PH: (954) 359-8478
FAX: (954) 744-4738
WEB: www.buildingdrops.com



REMARKS	BY	DATE
A-CODE CHANGE 2020	YC	09/20

THE INSTALLATION DETAILS DESCRIBED HEREIN ARE GENERIC AND MAY NOT REFLECT ACTUAL CONDITIONS FOR A SPECIFIC SITE. IF SITE CONDITIONS CAUSE INSTALLATION TO DEVIATE FROM THE REQUIREMENTS DETAILED HEREIN, A LICENSED ENGINEER OR ARCHITECT SHALL PREPARE SITE SPECIFIC DOCUMENTS FOR USE WITH THIS DOCUMENT.



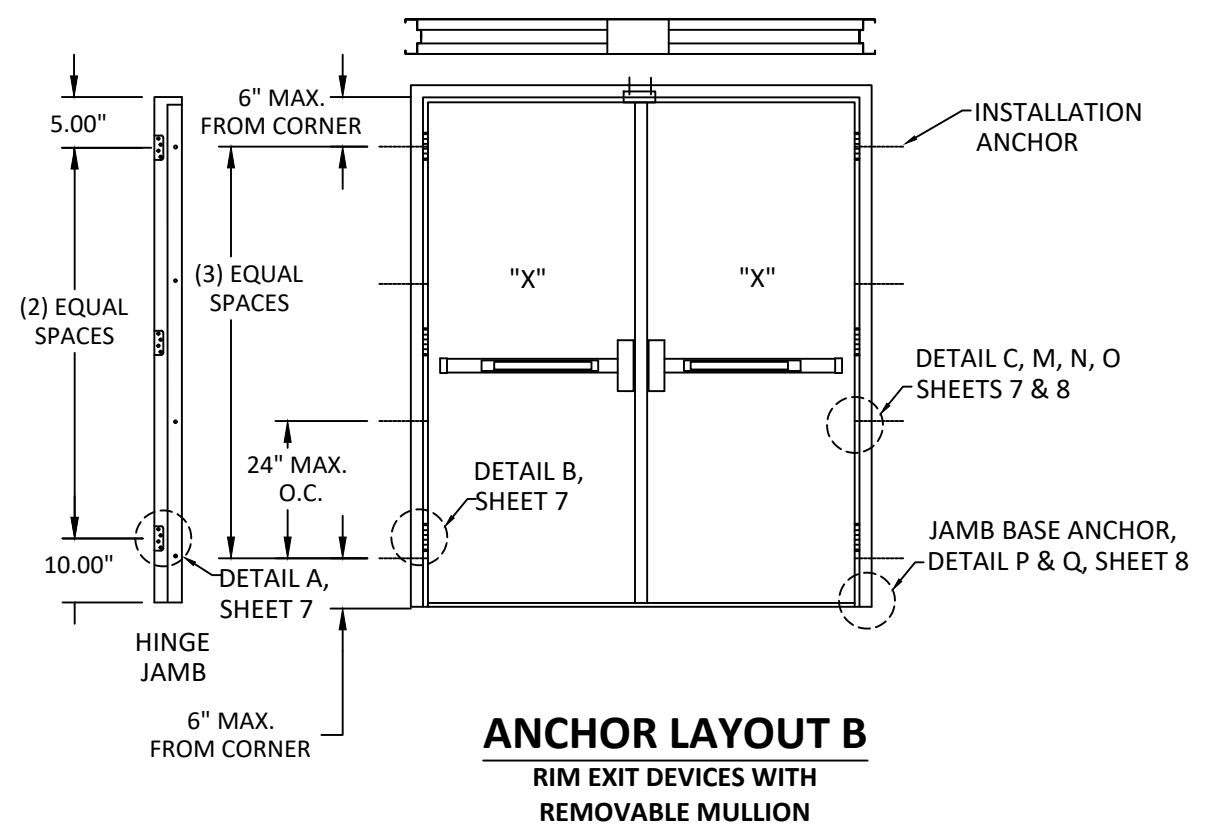
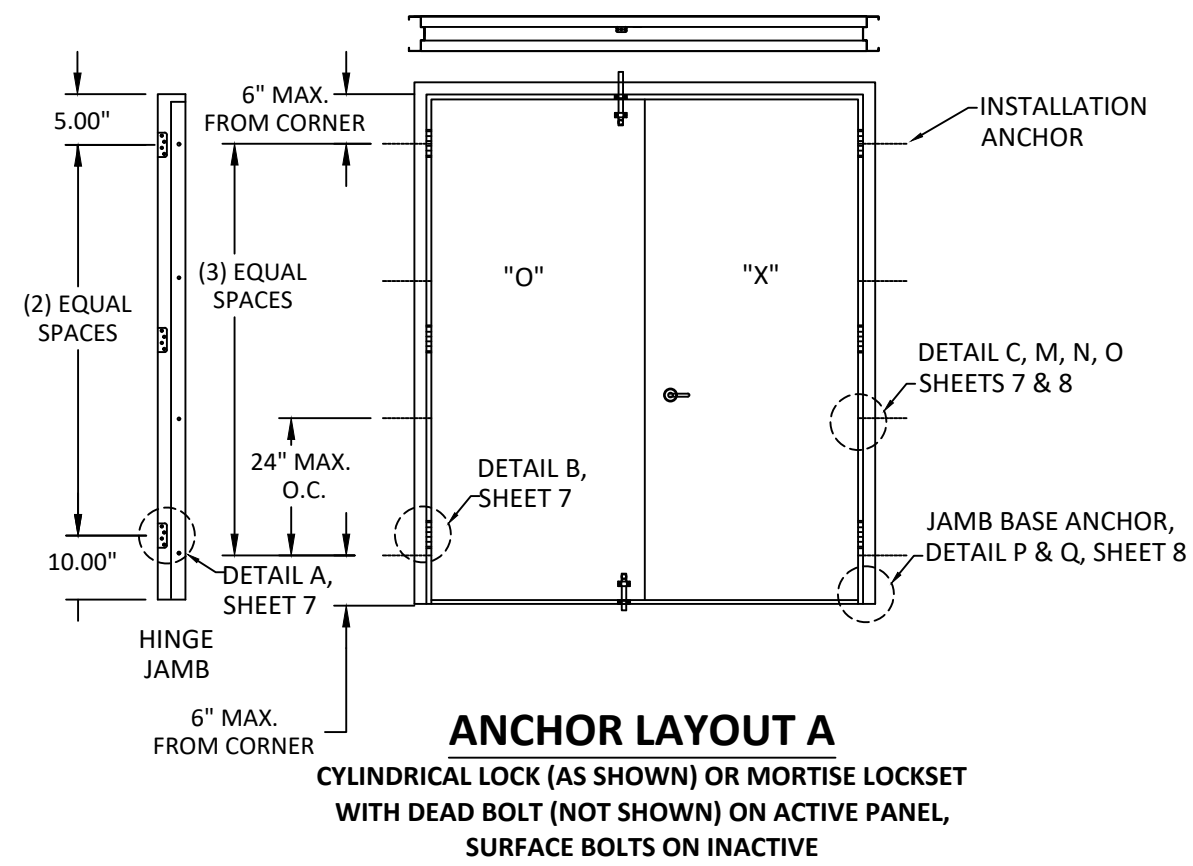
FL21194

DATE:	09.19.16
DWG. BY:	LMS
CHK. BY:	HFN
SCALE:	NTS
DWG. #:	DLF001

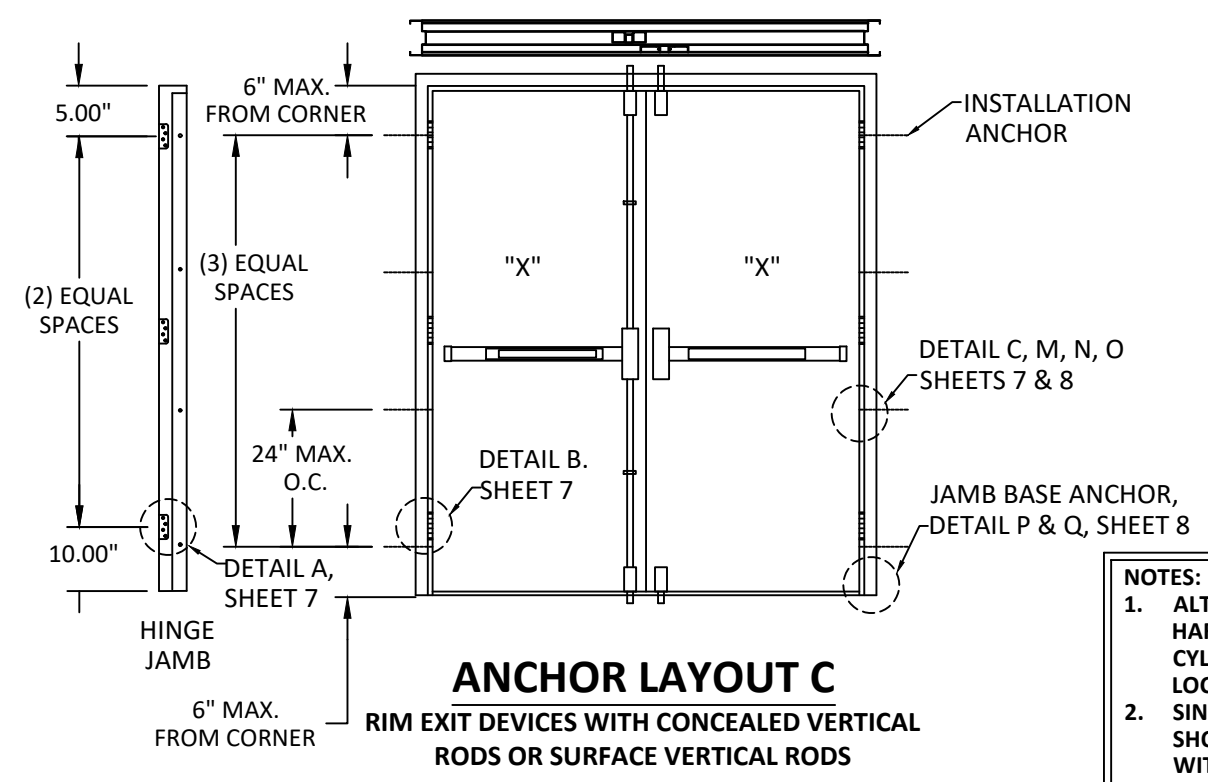
SHEET: 2 OF 8

s:\projects\de la fontaine\cc-20-1035 - fbc 2020 (ver. 7) code change\dwg\dlf001.dwg

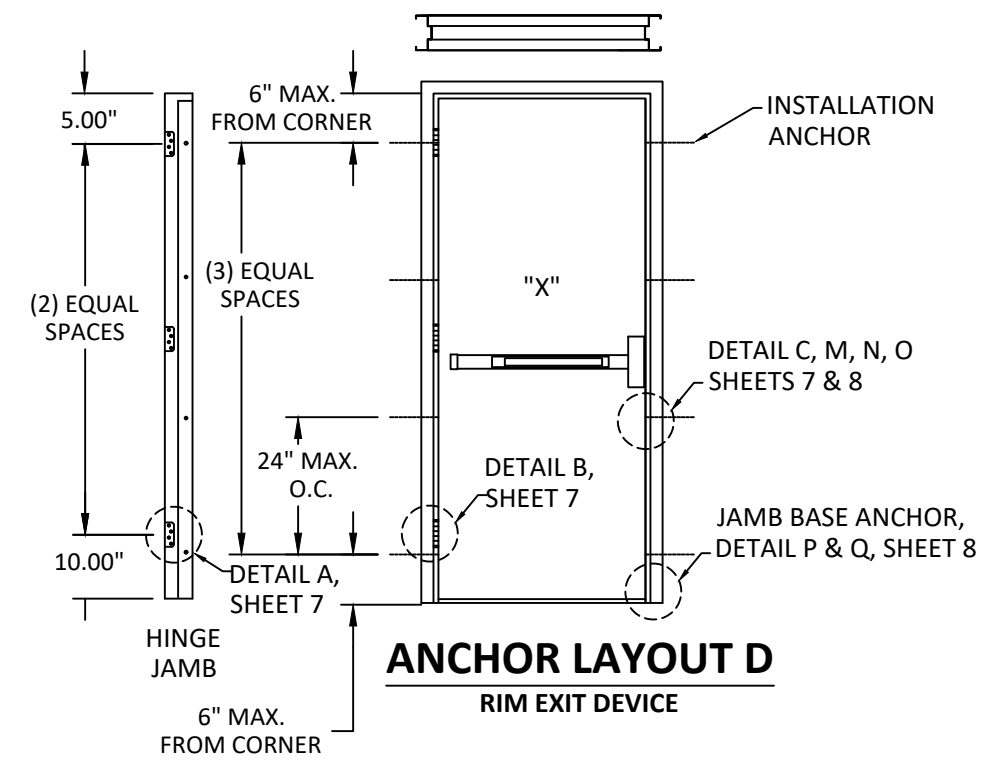
12/7/2020 11:50 AM



NOTE: SURFACE X SURFACE VERTICAL ROD OR
CONCEALED X CONCEALED VERTICAL RODS QUALIFIED.



- NOTES:**
1. ALTERNATE QUALIFIED SINGLE DOOR HARDWARE OPTIONS INCLUDE CYLINDRICAL LOCK OR MORTISE LOCKSETS WITH DEADBOLT.
 2. SINGLE DOOR ANCHOR LAYOUT SHOWN APPLIES TO INSTALLATIONS WITH CYLINDRICAL LOCK AND MORTISE LOCKSETS WITH DEADBOLT.

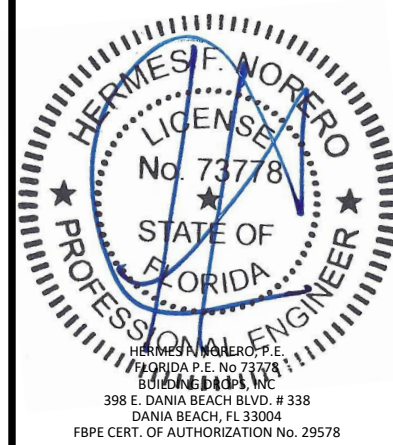


TITLE: OS FLUSH STEEL FLOOR
(WZ4)(IMPACT)
ANCHOR LAYOUT AND NOTES

PREPARED BY:
BUILDING DROPS, INC.
398 E. DANIA BEACH BLVD., STE. 338
DANIA BEACH, FL 33004
PH: (954) 399-8478
FAX: (954) 744-4738
WEB: www.buildingdrops.com

REMARKS	BY	DATE
A-CODE CHANGE 2020	YC	09/20

THE INSTALLATION DETAILS DESCRIBED HEREIN ARE GENERIC AND MAY NOT REFLECT ACTUAL CONDITIONS FOR A SPECIFIC SITE. IF SITE CONDITIONS CAUSE INSTALLATION TO DEVIATE FROM THE REQUIREMENTS DETAILED HEREIN, A LICENSED ENGINEER OR ARCHITECT SHALL PREPARE SITE SPECIFIC DOCUMENTS FOR USE WITH THIS DOCUMENT.



FL21194

DATE:	09.19.16	
DWG. BY:	LMS	CHK. BY: HFN
SCALE:	NTS	
DWG. #:	DLF001	

SHEET:
3
OF 8

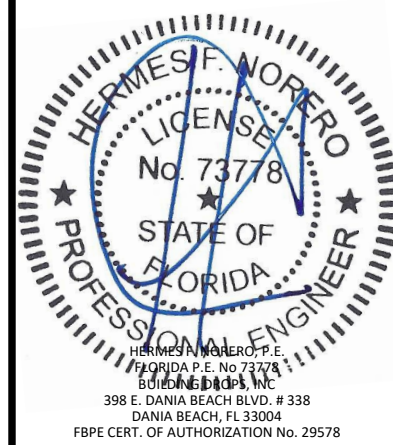
12/7/2020 11:50 AM

TITLE: OS FLUSH STEEL FOOT
(WZ4)(IMPACT)
VERTICAL SECTIONS

PREPARED BY:
BUILDING DROPS, INC.
398 E. DANIA BEACH BLVD., STE. 338
DANIA BEACH, FL 33004
PH: (954) 399-8478
FAX: (954) 744-4738
WEB: www.buildingdrops.com

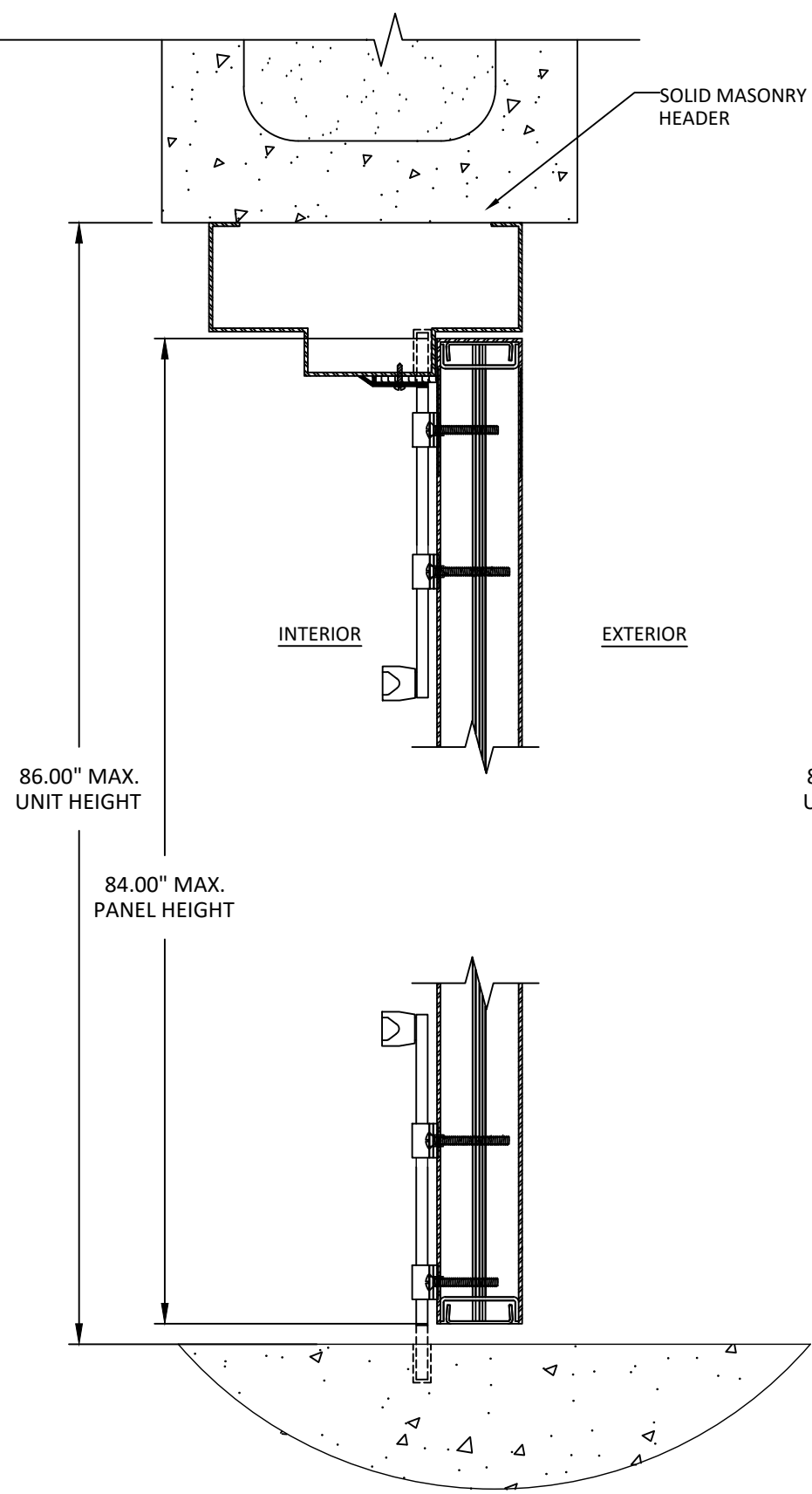
REMARKS	BY	DATE
A-CODE CHANGE 2020	YC	09/20

THE INSTALLATION DETAILS DESCRIBED HEREIN ARE GENERIC AND MAY NOT REFLECT ACTUAL CONDITIONS FOR A SPECIFIC SITE. IF SITE CONDITIONS CAUSE INSTALLATION TO DEVIATE FROM THE REQUIREMENTS DETAILED HEREIN, A LICENSED ENGINEER OR ARCHITECT SHALL PREPARE SITE SPECIFIC DOCUMENTS FOR USE WITH THIS DOCUMENT.

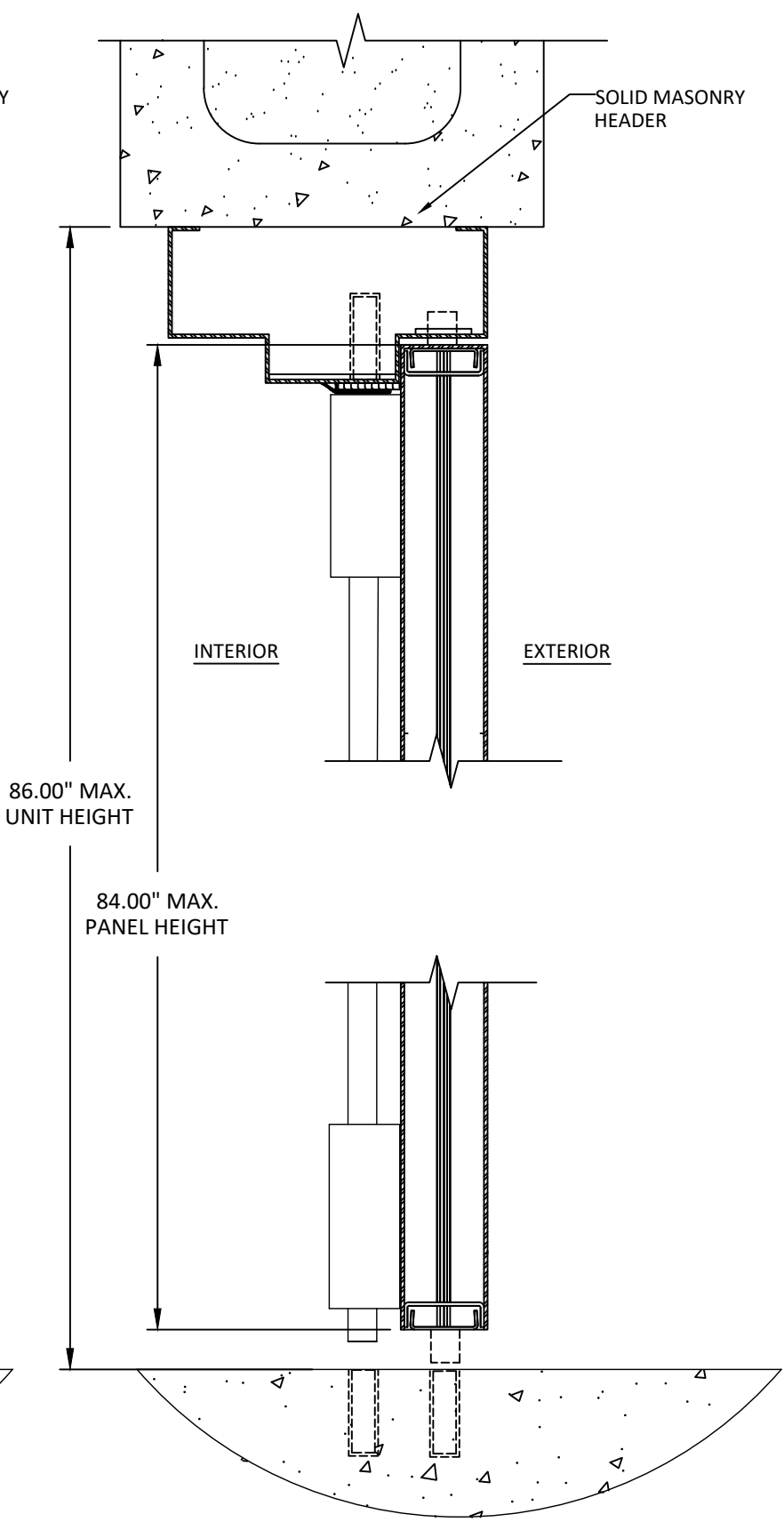


FL21194

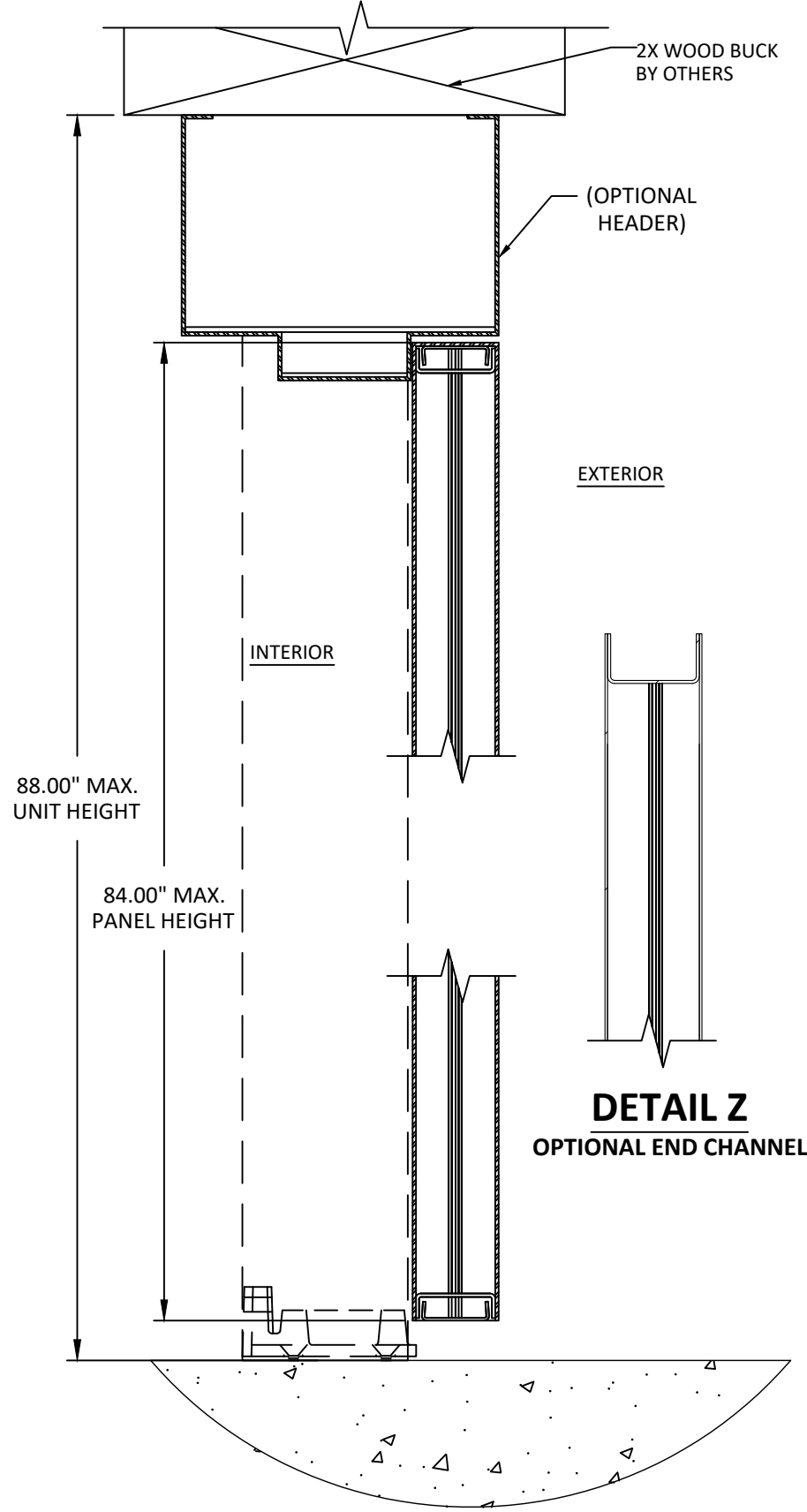
DATE:	09.19.16	
DWG. BY:	LMS	CHK. BY: HFN
SCALE:	NTS	
DWG. #:	DLF001	
SHEET:	4	



A
4
VERTICAL SECTION
HEAD/SILL - CONCRETE/MASONRY
(MORTISE LOCK/
CYLINDRICAL LOCK WITH SURFACE BOLTS)

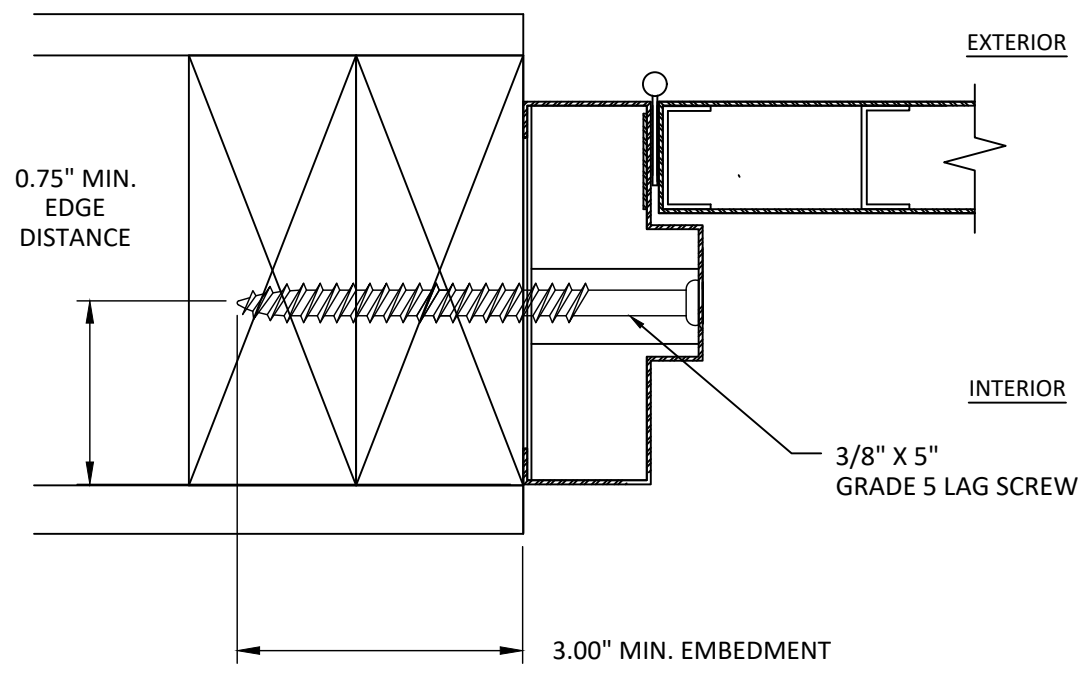


B
4
VERTICAL SECTION
HEAD/SILL - CONCRETE/MASONRY
(SURFACE OR CONCEALED VERTICAL ROD)

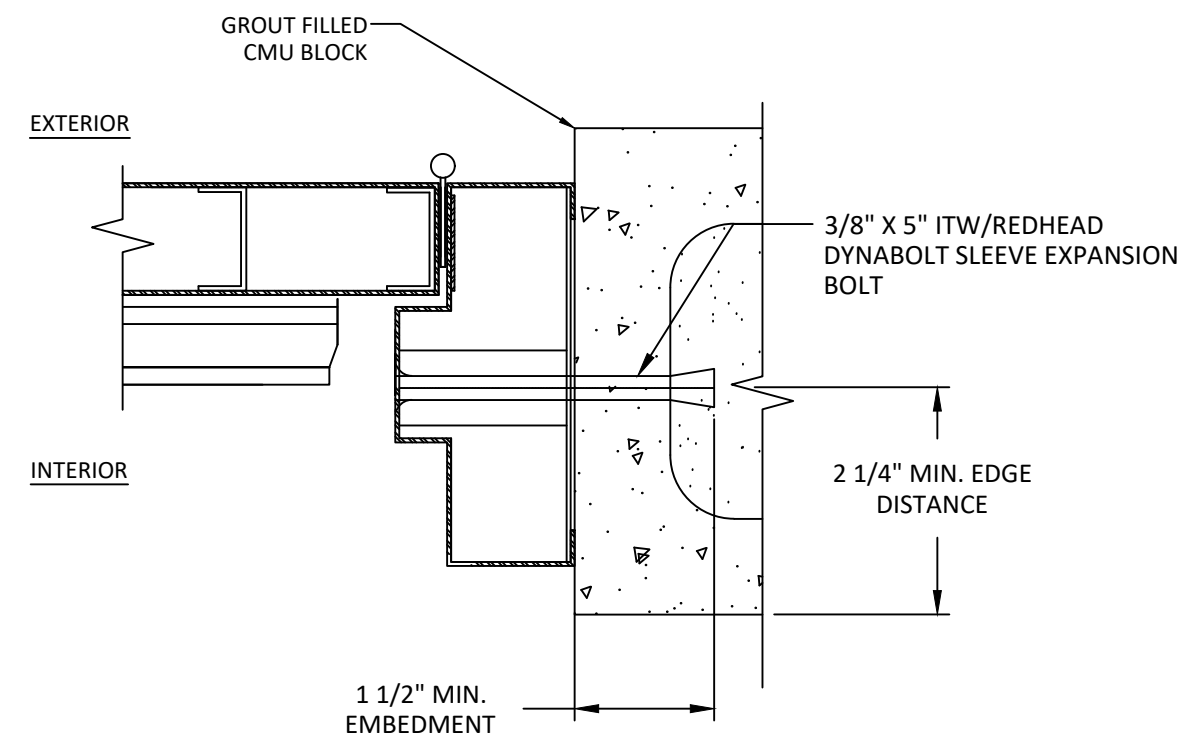


C
4
VERTICAL SECTION
HEAD - 2X WOOD FRAME
SILL - CONCRETE
(REMOVABLE MULLION)

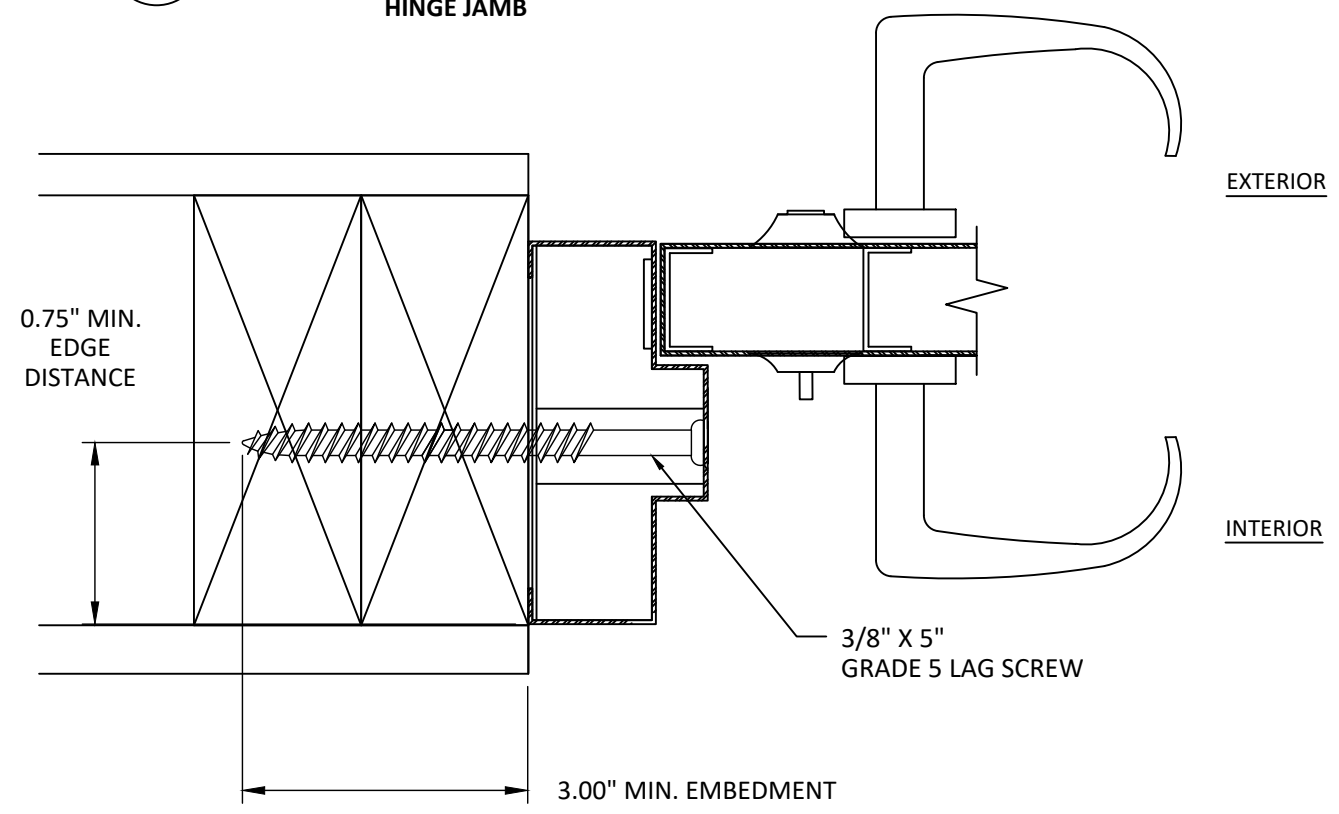
12/7/2020 11:50 AM



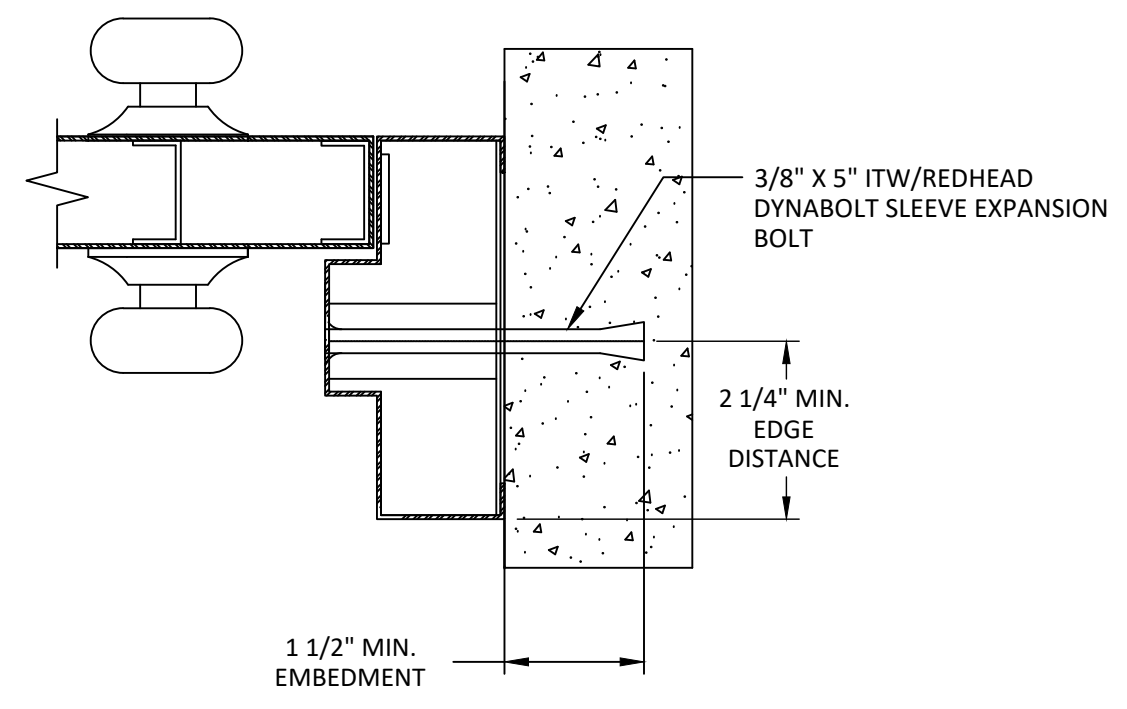
D
5 **HORIZONTAL SECTION**
JAMB - 2X WOOD BUCK
HINGE JAMB



E
5 **HORIZONTAL SECTION**
JAMB - CONCRETE/GROUT FILLED CMU
HINGE JAMB



F
5 **HORIZONTAL SECTION**
LOCK JAMB - 2X WOOD BUCK
MORTISE LOCKSET WITH DEADBOLT



K
5 **HORIZONTAL SECTION**
LOCK JAMB - CONCRETE
CYLINDRICAL LOCK



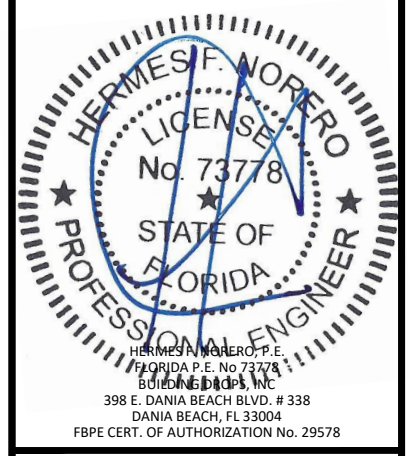
4115 BRODEUR STREET
SHERBROOKE, QC J1L1K4
PH: (819) 821-9230 FX: (819) 569-5928

TITLE: OS FLUSH STEEL FOOT
(WZ4)(IMPACT)
HORIZONTAL SECTION

PREPARED BY: BUILDING DROPS, INC.
398 E. DANIA BEACH BLVD., STE. 338
DANIA BEACH, FL 33004
PH: (954) 399-8478
FAX: (954) 744-4738
WEB: www.buildingdrops.com

REMARKS	BY	DATE
A-CODE CHANGE 2020	YC	09/20

THE INSTALLATION DETAILS DESCRIBED HEREIN ARE GENERIC AND MAY NOT REFLECT ACTUAL CONDITIONS FOR A SPECIFIC SITE. IF SITE CONDITIONS CAUSE INSTALLATION TO DEVIATE FROM THE REQUIREMENTS DETAILED HEREIN, A LICENSED ENGINEER OR ARCHITECT SHALL PREPARE SITE SPECIFIC DOCUMENTS FOR USE WITH THIS DOCUMENT.



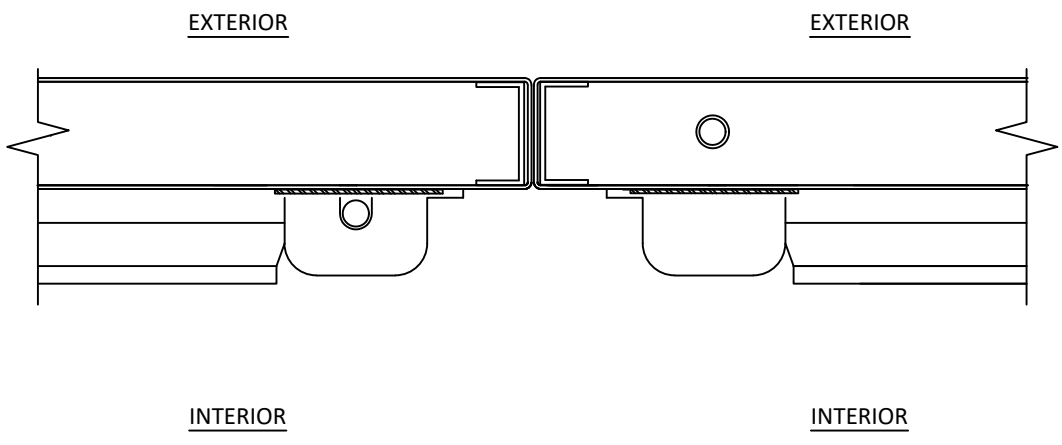
FL21194

DATE: 09.19.16
DWG. BY: LMS CHK. BY: HFN
SCALE: NTS
DWG. #: DLF001

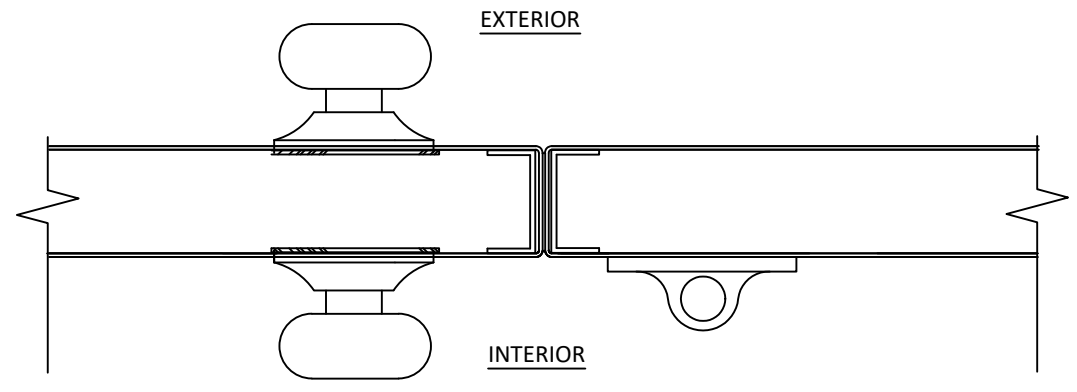
SHEET: 5 OF 8

s:\projects\de la fontaine\cc-20-1035 - fbc 2020 (ver. 7) code change\dwg\dlf001.dwg

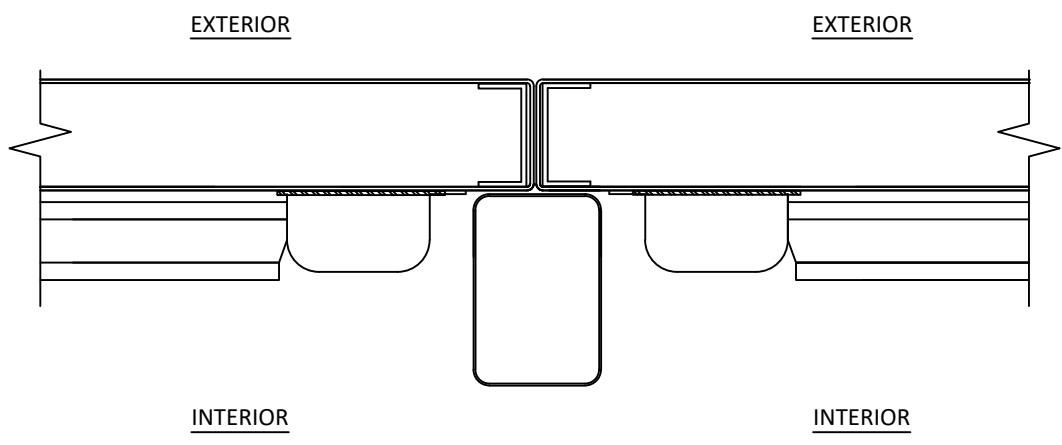
12/7/2020 11:50 AM



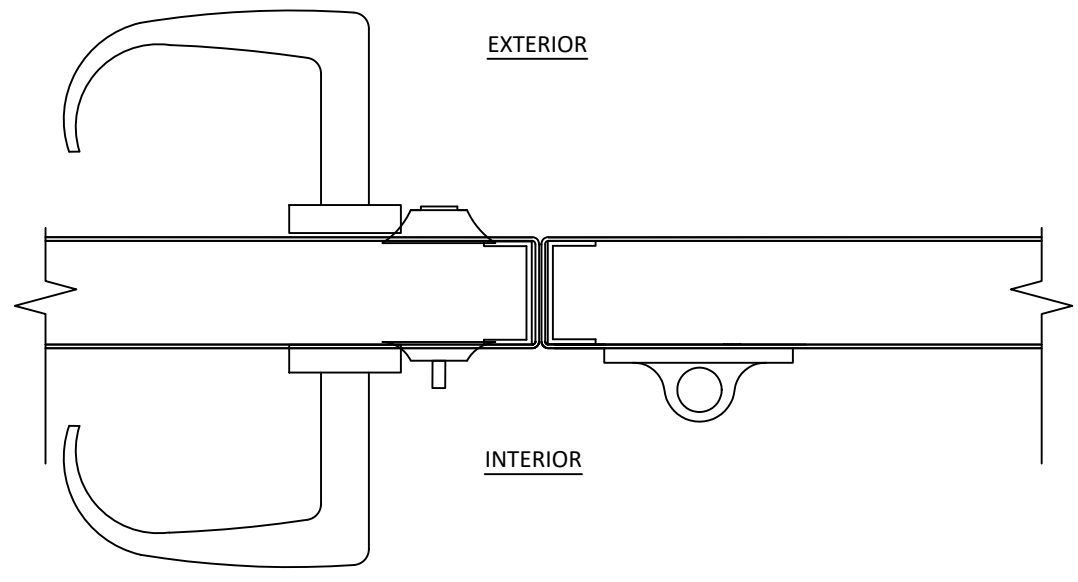
G
6 **HORIZONTAL SECTION**
SURFACE/CONCEALED VERTICAL ROD



H
6 **HORIZONTAL SECTION**
CYLINDRICAL LOCK
(SURFACE BOLTS ON INACTIVE)



I
6 **HORIZONTAL SECTION**
REMOVABLE MULLION



J
6 **HORIZONTAL SECTION**
MORTISE LOCKSET WITH DEADBOLT
(SURFACE BOLTS ON INACTIVE)

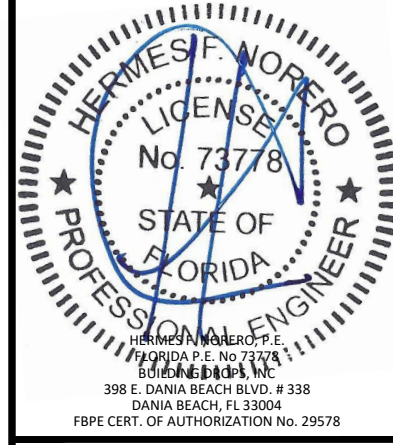
TITLE: OS FLUSH STEEL FOOT
(WZ4)(IMPACT)
HORIZONTAL SECTION

PREPARED BY:

BUILDING DROPS, INC.
398 E. DANIA BEACH BLVD., STE. 338
DANIA BEACH, FL 33004
PH: (954) 399-8478
FAX: (954) 744-4738
WEB: www.buildingdrops.com

REMARKS	BY	DATE
A-CODE CHANGE 2020	YC	09/20

THE INSTALLATION DETAILS DESCRIBED HEREIN ARE GENERIC AND MAY NOT REFLECT ACTUAL CONDITIONS FOR A SPECIFIC SITE. IF SITE CONDITIONS CAUSE INSTALLATION TO DEVIATE FROM THE REQUIREMENTS DETAILED HEREIN, A LICENSED ENGINEER OR ARCHITECT SHALL PREPARE SITE SPECIFIC DOCUMENTS FOR USE WITH THIS DOCUMENT.



FL21194

DATE: **09.19.16**

DWG. BY: **LMS** CHK. BY: **HFN**

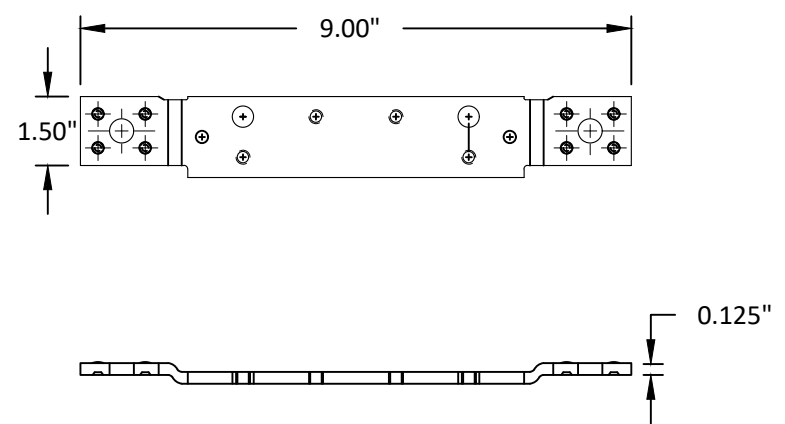
SCALE: **NTS**

DWG. #: **DLF001**

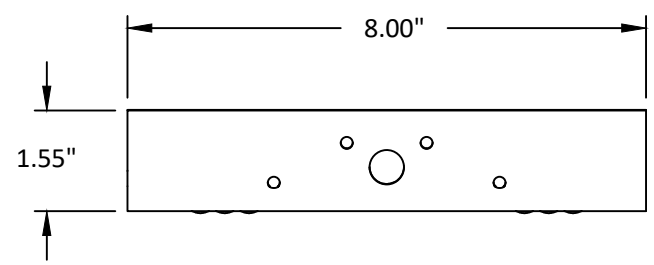
SHEET:
6
OF 8

s:\projects\de la fontaine\cc-20-1035 - bc 2020 (ver. 7) code change\dwg\dlf001.dwg

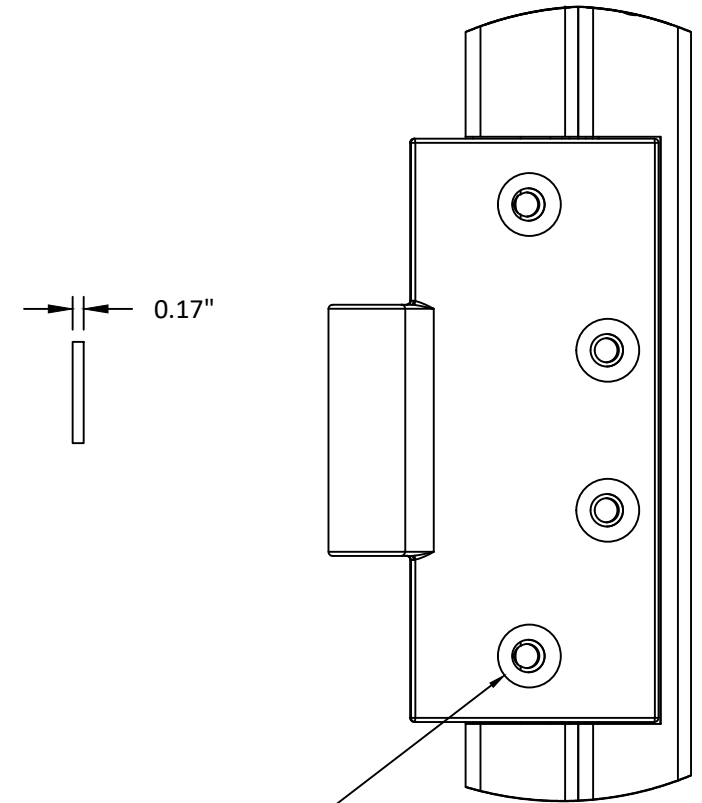
12/7/2020 11:50 AM



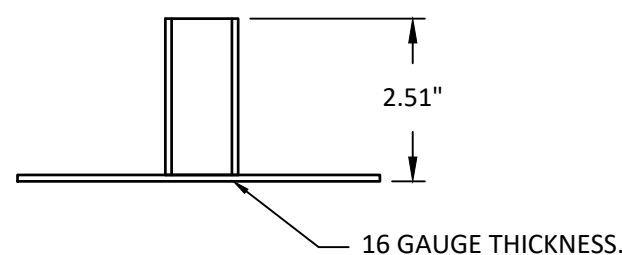
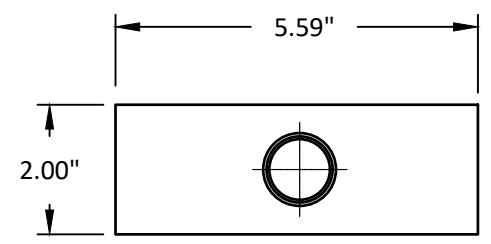
DETAIL A
FRAME HINGE REINFORCEMENT



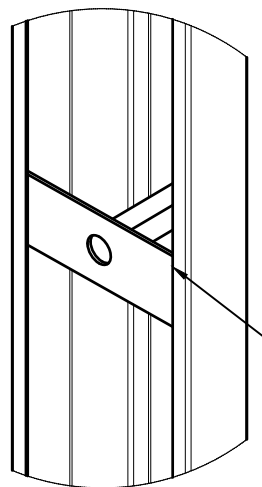
DETAIL B
DOOR HINGE REINFORCEMENT
AND HINGE DETAIL



ATTACHED WITH FOUR (4) #12 ASSEMBLY SCREWS

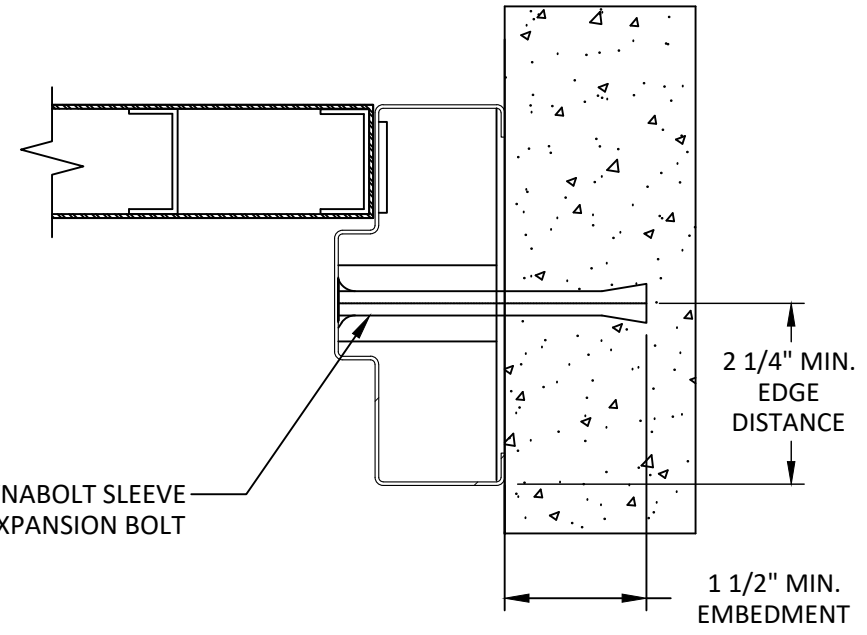


DETAIL C
ANCHOR STRAP



WELDED IN PLACE

3/8" X 5" ITW/REDHEAD DYNABOLT SLEEVE
EXPANSION BOLT



L
7 **HORIZONTAL SECTION**
LOCK JAMB - CONCRETE
RIM EXIT DEVICE

TITLE: OS FLUSH STEEL FOOT
(WZ4)(IMPACT)
STIFFENERS DETAILS AND HORIZONTAL SECTION

PREPARED BY: **BUILDING DROPS, INC.**
398 E. DANIA BEACH BLVD., STE. 338
DANIA BEACH, FL 33004
PH: (954) 399-8478
FAX: (954) 744-4738
WEB: www.buildingdrops.com

REMARKS	BY	DATE
A-CODE CHANGE 2020	YC	09/20

THE INSTALLATION DETAILS DESCRIBED HEREIN ARE GENERIC AND MAY NOT REFLECT ACTUAL CONDITIONS FOR A SPECIFIC SITE. IF SITE CONDITIONS CAUSE INSTALLATION TO DEVIATE FROM THE REQUIREMENTS DETAILED HEREIN, A LICENSED ENGINEER OR ARCHITECT SHALL PREPARE SITE SPECIFIC DOCUMENTS FOR USE WITH THIS DOCUMENT.

HERMES J. MORERO, P.E.
FLORIDA P.E. No. 73778
BUILDING DROPS, INC.
398 E. DANIA BEACH BLVD. # 338
DANIA BEACH, FL 33004
FBPE CERT. OF AUTHORIZATION No. 29578

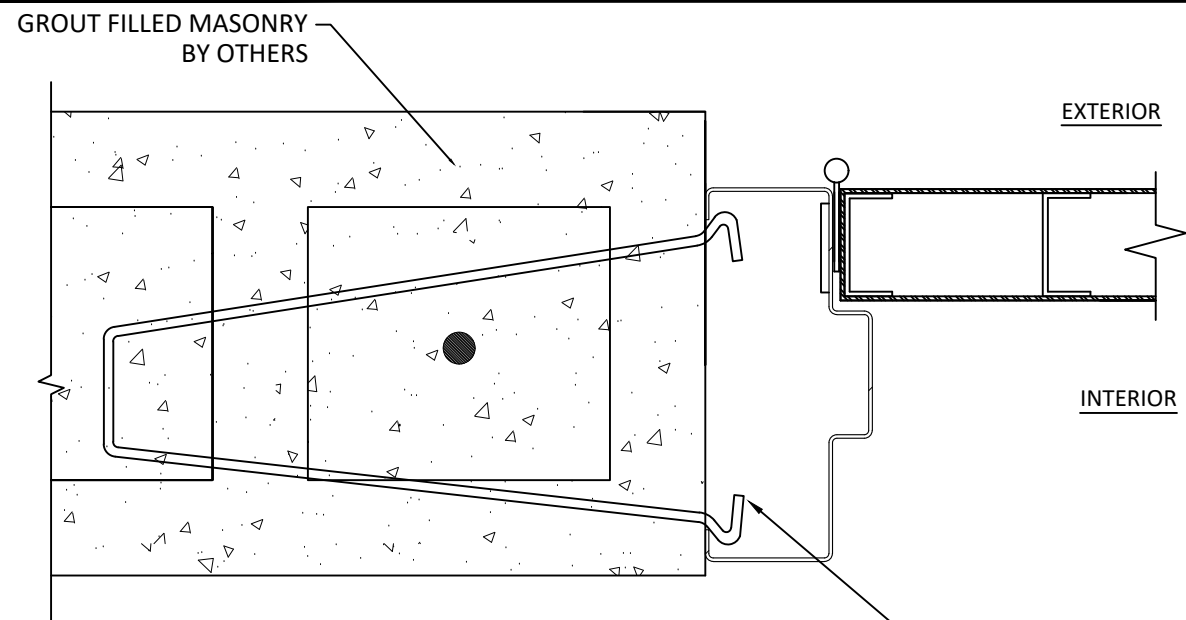
FL21194

DATE:	09.19.16
DWG. BY:	LMS
CHK. BY:	HFN
SCALE:	NTS
DWG. #:	DLF001

SHEET:
7
OF 8

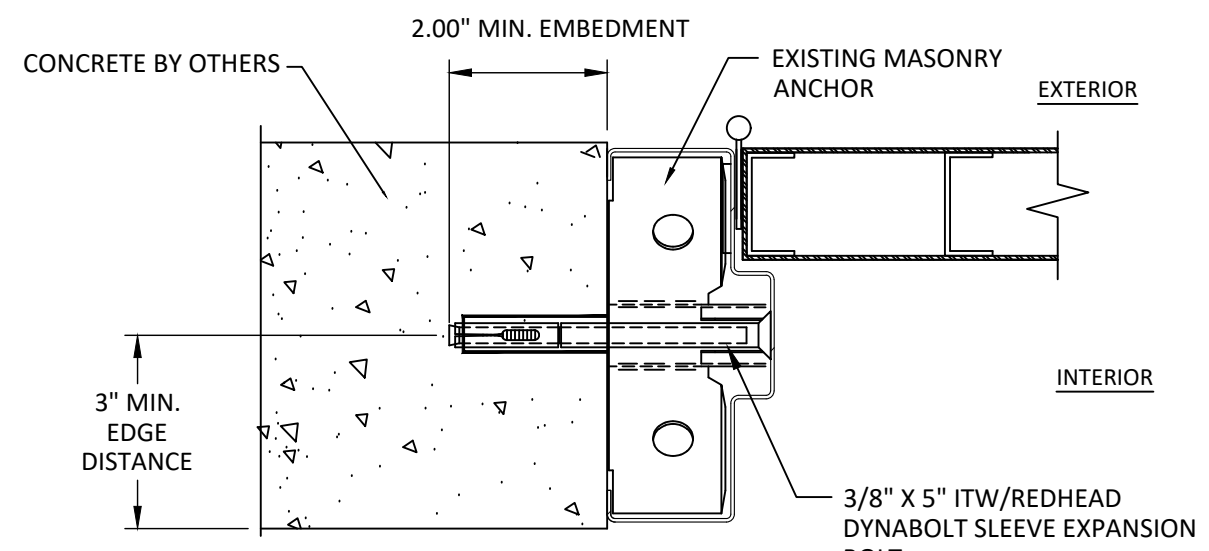
s:\projects\de la fontaine\cc-20-1035 - fbc 2020 (ver. 7) code change\dwg\dlf001.dwg

12/17/2020 11:50 AM
s:\projects\de la fontaine\cc-20-1035 - fbc 2020 (ver. 7) code change\dwg\dlf001.dwg



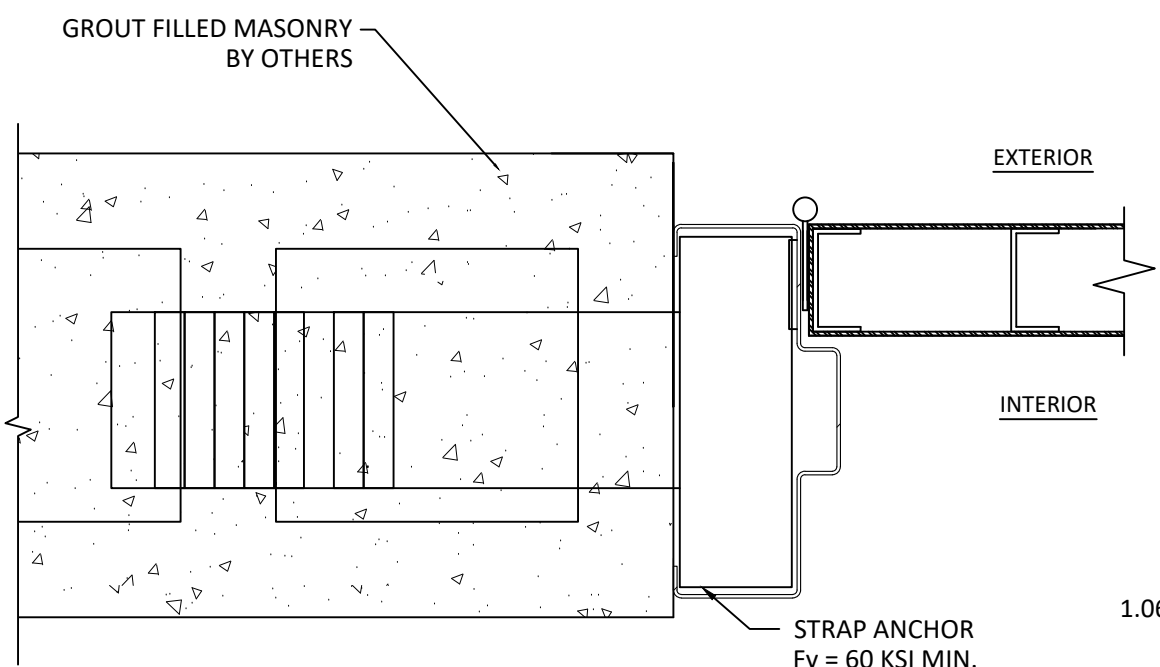
M
8 **HORIZONTAL SECTION**
JAMB - CONCRETE/MASONRY
WIRE ANCHOR

WIRE ANCHOR
Fy = 60 KSI MIN.



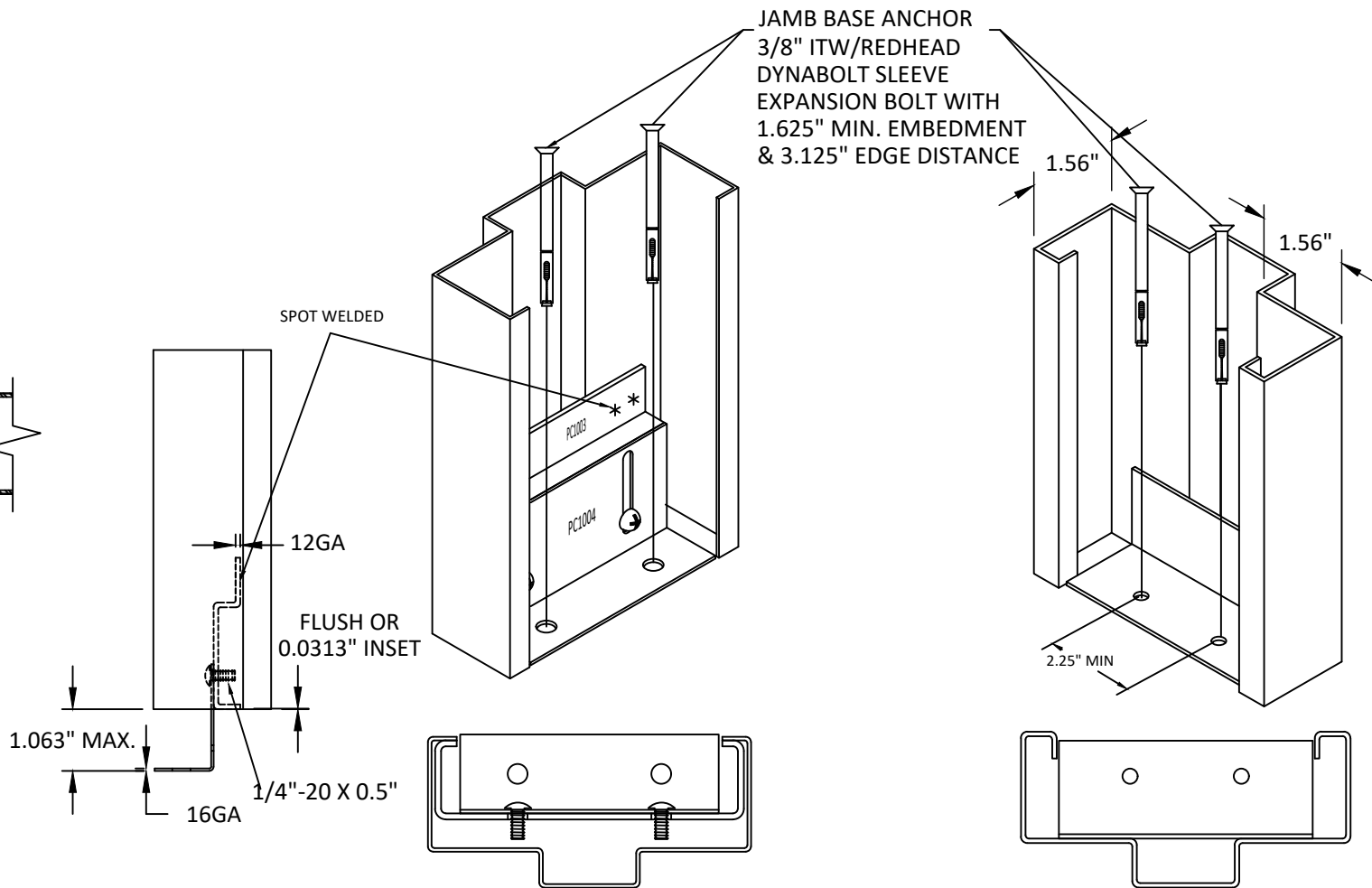
O
8 **HORIZONTAL SECTION**
JAMB - CONCRETE/MASONRY
EXISTING MASONRY ANCHOR

CONCRETE BY OTHERS
2.00" MIN. EMBEDMENT
EXISTING MASONRY ANCHOR
EXTERIOR
INTERIOR
3" MIN. EDGE DISTANCE
3/8" X 5" ITW/REDHEAD DYNABOLT SLEEVE EXPANSION BOLT



N
8 **HORIZONTAL SECTION**
JAMB - GROUT FILLED CMU
T-STRAP ANCHOR

STRAP ANCHOR
Fy = 60 KSI MIN.



NOTE: WELDED OR ADJUSTABLE
BASE ANCHOR TO BE USED WITH
T-STRAP & WIRE ANCHOR ONLY

DETAIL P
ADJUSTABLE BASE ANCHOR

DETAIL Q
WELDED BASE ANCHOR



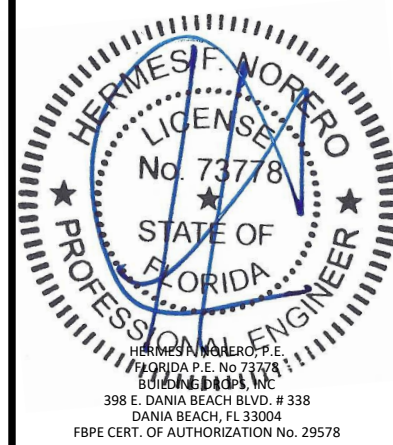
4115 BRODEUR STREET
SHERBROOKE, QC J1L1K4
PH: (819) 821-9230 FX: (819) 569-5928

TITLE: OS FLUSH STEEL FOOT
(WZ4)(IMPACT)
HORIZONTAL SECTION

PREPARED BY:
BUILDING DROPS, INC.
398 E. DANIA BEACH BLVD., STE. 338
DANIA BEACH, FL 33004
PH: (954) 399-8478
FAX: (954) 744-4738
WEB: www.buildingdrops.com

REMARKS	BY	DATE
A-CODE CHANGE 2020	YC	09/20

THE INSTALLATION DETAILS DESCRIBED HEREIN ARE GENERIC AND MAY NOT REFLECT ACTUAL CONDITIONS FOR A SPECIFIC SITE. IF SITE CONDITIONS CAUSE INSTALLATION TO DEVIATE FROM THE REQUIREMENTS DETAILED HEREIN, A LICENSED ENGINEER OR ARCHITECT SHALL PREPARE SITE SPECIFIC DOCUMENTS FOR USE WITH THIS DOCUMENT.



FL21194

DATE:	09.19.16
DWG. BY:	LMS
CHK. BY:	HFN
SCALE:	NTS
DWG. #:	DLF001

SHEET:
8
OF 8